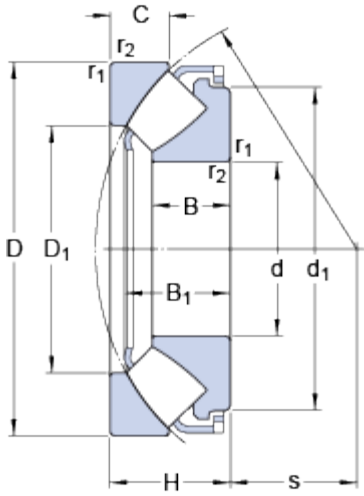


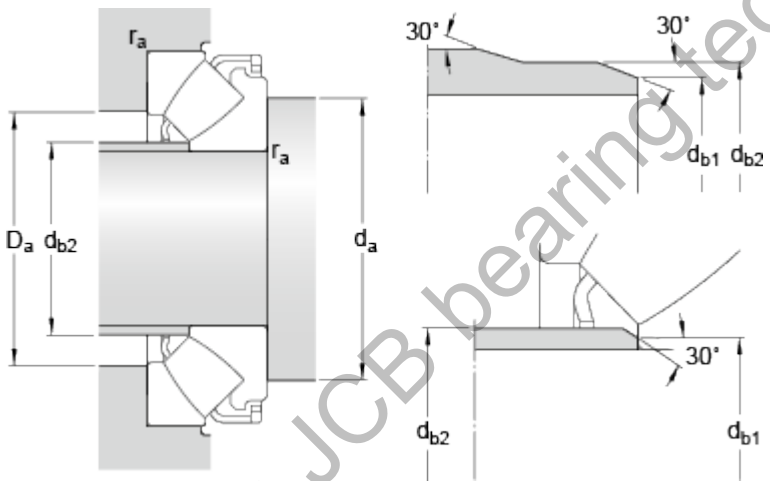
29420EX

Dimensions



d	100	mm
D	210	mm
H	67	mm
d ₁	≈ 182	mm
D ₁	≈ 142	mm
B	43	mm
B ₁	57.3	mm
C	32	mm
s	62	mm
r _{1,2}	min. 3	mm

Abutment dimensions



d _a	min. 150	mm
d _{b1}	max. 110	mm
d _{b2}	max. 110	mm
D _a	max. 175	mm
r _a	max. 2.5	mm

Calculation data

Basic dynamic load rating	C	980	kN
Basic static load rating	C ₀	2500	kN
Fatigue load limit	P _u	275	kN
Reference speed		1700	r/min
Limiting speed		3000	r/min
Minimum axial load factor	A	0.59	

Mass

Mass bearing		10.5	kg
--------------	--	------	----